

## Countertop Receptacles



Surface Mount



Flush Mount



RCT200BK

### Countertop Receptacles

Description	Finish	Color/Material	Surface Mount	Flush Mount
15A 125V Tamper-Resistant Pop-Up Kitchen Counter Receptacle, Rated for 20A circuits	Powder Coated	Black	<b>RCT200BK</b>	<b>RCT201BK</b>
		White	<b>RCT200W</b>	<b>RCT201W</b>
	Brushed	Aluminum	<b>RCT200ALU</b>	<b>RCT201ALU</b>
		Brass	<b>RCT200BR</b>	<b>RCT201BR</b>
Nickel		<b>RCT200NI</b>	<b>RCT201NI</b>	
Polished	Chrome	<b>RCT200CH</b>	<b>RCT201CH</b>	
Matte	Bronze	<b>RCT200BZE</b>	<b>RCT201BZE</b>	



Powder Coated Black



Powder Coated White



Brushed Aluminum



Brushed Brass



Brushed Nickel



Polished Chrome



Matte Bronze

### Specifications

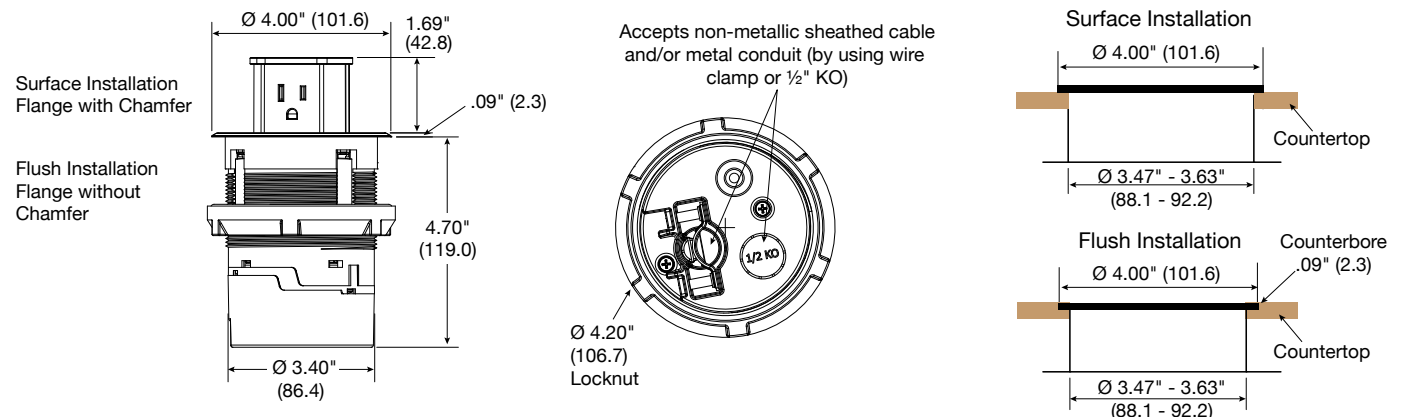
#### Performance

Configuration	15 amp 125 volt, Tamper Resistant Receptacle
Circuit Rating	20 amp non-feed through
Listings	cULus Listed to UL498, Section 145 Mechanical Load Test, 146 Spill Test
Dielectric Voltage	Withstands 2,000V minimum
Terminal Accommodation	#14-#12 AWG copper stranded or solid conductor only
Terminal Identification	Terminals identified in accordance with UL 498 and CSA
Flammability	UL 94V-2
Operating Temperature	Maximum continuous 75°C, minimum -40°C (w/o impact)

#### Materials

Cover and Flange	Die Cast Aluminum
Main Body	Engineered Thermoplastic PBT
Wiring Chamber	Die Cast Aluminum
Water Seals	Elastomers and Silicon

### Dimensions



Note: Recommended to be fed by a GFCI circuit, up to 20 Amp Service.

Dimensions in Inches (mm)